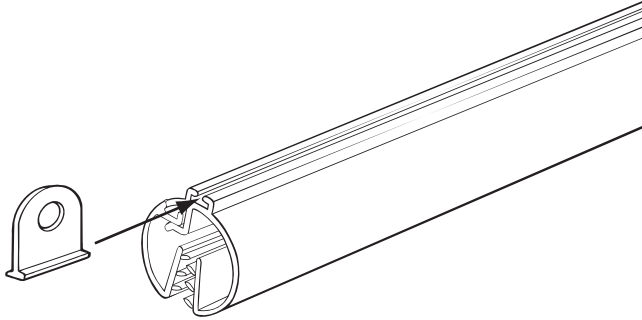


Space Commander® Banner Hanger with Track – Double C-Hook

Installation Instructions

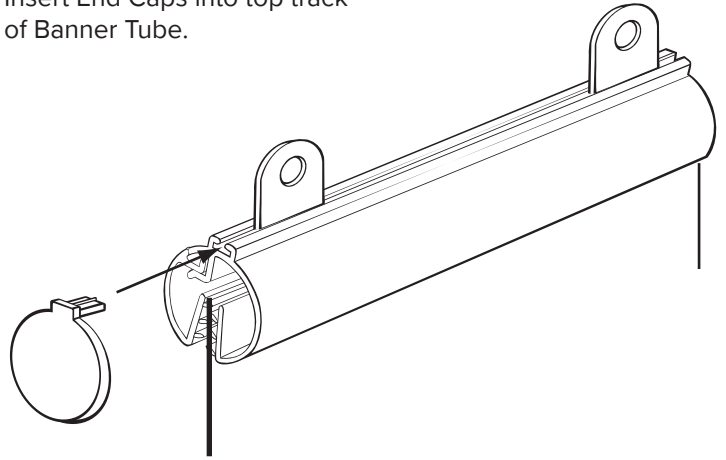
①

Slide Hanger Clips into top track of Space Commander® Banner Tube.



③

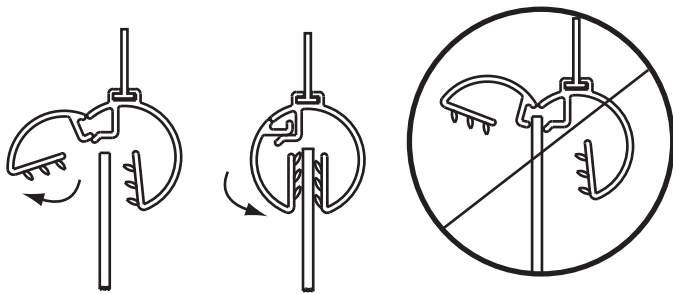
Insert End Caps into top track of Banner Tube.



②

Pry open hinged side. Start at one end of tube, and work your way down tube until it is completely open. Insert banner, snap shut tube to lock banner in place.

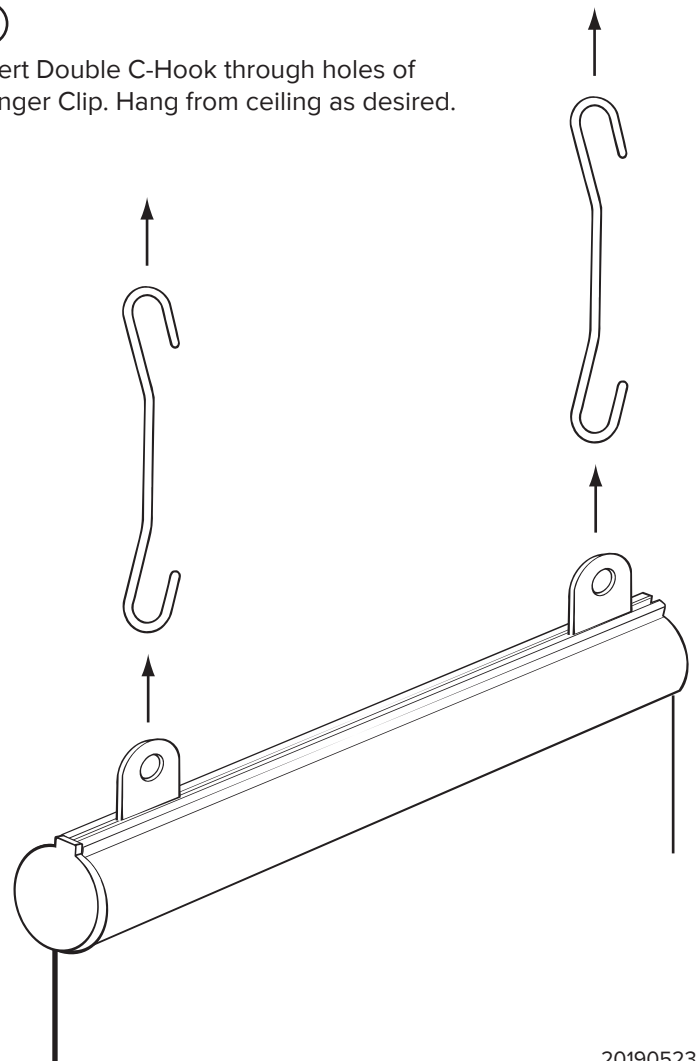
NOTE: See illustration below to determine how far to insert banner into banner hanger. Inserting banner too far into banner hanger may damage its hinge.



CAUTION:
Do not feed banner
into clamping mechanism.

④

Insert Double C-Hook through holes of Hanger Clip. Hang from ceiling as desired.



20190523

For more information,
call **800.422.2547**
visit **www.siffron.com**

siffron[™]
always on